

Ultrasonic Humidifier
with Ionizer and Aromatherapy
CA-603



Instruction Manual



Thank you for purchasing the innovative **Clean Air Optima CA-603** Digital Cool Mist ultrasonic humidifier with Ionizer and Aromatherapy.

We wish you many years of healthy indoor air with this efficient and effective product.

Ensure that all safety precautions are followed when using this electrical appliance for the proper operation of the device. These instructions describe the safety precautions to be observed during operation. They are designed to prevent injuries or damage to this device.

Safety Precautions

- The inner ultrasonic transducer is highly sensitive. Do not touch it with bare fingers or scrape it with metal tools, or it will reduce mist output. When cleaning this area please use a small cleaning brush, cotton swab or tooth brush. Do not use hot water as it may damage the misting parts.
- Use proper voltage - AC 110~120V 60Hz in Canada/USA; AC 220~240V 50Hz in Europe. Use of improper voltage may cause fire hazard or electric shock.
- To prevent electric shock, do not dismantle, repair or modify this product. Maintenance and cleaning should be followed exactly as instructed in this manual. In the event of a malfunction, please contact an authorized **Clean Air Optima** maintenance center.
- Do not use in areas where flammable or explosive materials are stored.
- Do not place this device in direct sunlight or near objects that generate high temperature heat. The heat may cause deformation or warping of the outer casing.
- Do not use the humidifier in a room that already has humidity levels above 50% relative humidity. Excessive humidity in the room gives rise to condensation on cold surfaces such as walls or windows.
- Do not operate the unit without water in the basin.
- Do not insert foreign objects into the device. Do not touch the transducer or the lower water basin when the unit is operating. Do not scratch the transducer. Do not touch the mist output when producing warm mist.
- Do not submerge this device in water. Water or cleaning liquids may only be used on parts to be cleaned according to the cleaning and maintenance instructions.
- Only use lime scale remover or vinegar to clean mineral deposits from the basin or transducer. Do not use any harsh detergents that may damage the unit.
- The use of other essential oils not made for this air humidifier or other additives (for example pure essential oils, fragrances, water purification products) can damage the air humidifier and must NOT be used! Even a small quantity can damage the plastic and cause cracks. The material is not made for the use of additives. One drop is enough to damage the water tank/ basin and disable the device. Devices that are damaged through additives are excluded from the guarantee.
- If you smell an abnormal odour, please turn off and unplug the unit and call **Clean Air Optima** technical support.
- Clean and dry the device before storage (including the removal of all water from the inside of the device). Store the machine in a cool and dry place outside the reach of children.
- Do not use fabrics or other materials to cover this device. Obstructed air inlets and outlets will result in improper operation of this unit and may result in fire or other damage.
- To prevent interference and damage to other electronic devices, this machine should be placed at least 1 meter away from a computer, television, radio or other electronic equipment.
- The ultrasonic humidifier should be cleaned regularly for proper operation and long life. See cleaning instructions.
- For safety reasons and to prevent fire or electric shock, unplug the power cord from the electric outlet socket whenever you:
 - Do not use the device for a long period of time.
 - Remove the tank, clean or service the machine or the permanent filter.
 - Move or transport the device.

If the power cord is damaged, then it must be replaced by an authorized service person to prevent electric shock or fire.

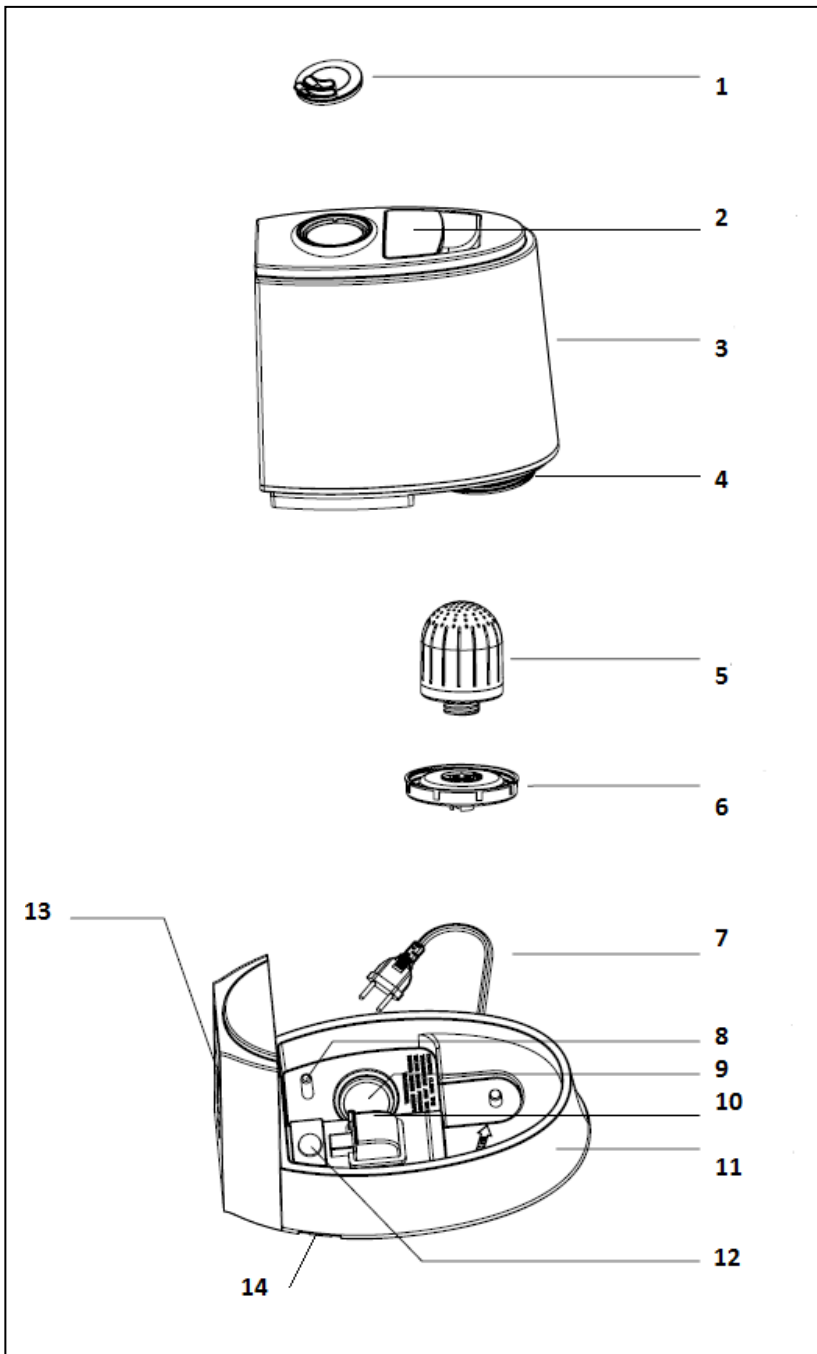


Diagram CA-603

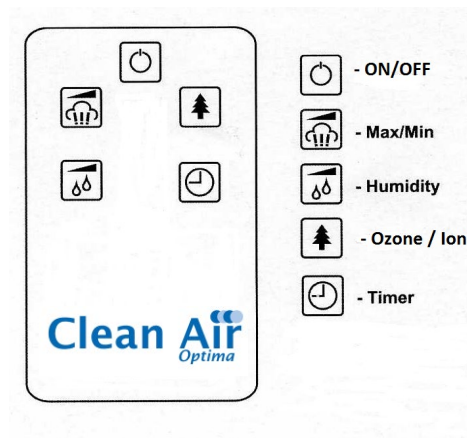
- 1. nozzle
- 2. handle
- 3. water tank
- 4. water inlet
- 5. filter cartridge
- 6. tank cover
- 7. cord & plug
- 8. water level sensor
- 9. transducer
- 10. fan/ionizer
- 11. base / waterbassin
- 12. led light / indicator on
- 13. display with touch buttons
- 14. aroma box

The device can be controlled by five touch buttons located on the front of the display.



On/Off	-	Switches the humidifier on/off
Ion	-	Switches negative ions on/off
Max/Min	-	Sets misting spray level to low, medium or high
Humidity	-	Sets desired humidity level from 45% to 75% relative humidity
Timer	-	Sets the timer to operate the humidifier from 1 to 12 hours

The **Clean Air Optima CA-603** is equipped with a very useful remote control. The remote control duplicates the six button control panel just below the humidifier's LCD display. You can activate the remote control by removing the protective film from the battery area located at the bottom edge of the unit just below our logo.



The LCD display shows the numeric values for temperature and relative humidity and the length of time remaining on the timer. It also displays the icons used to indicate other humidifier functions.

Aromatherapy

Important

In order to reach the best results and to enjoy your **CLEAN AIR OPTIMA ultrasonic air humidifier** as much as possible, we advise to read carefully the following instructions regarding the use of essential oils in the **ultrasonic air humidifier CA-603 by CLEAN AIR OPTIMA**.

Use of essential oils in the CLEAN AIR OPTIMA CA-603

Use our high quality essential oils and enjoy your personal aromatherapy! A scent sensation at its highest level!

You can find high quality essential oils with many different scents in our assortment. They perfectly fit to the **CLEAN AIR OPTIMA ultrasonic air humidifier CA-603** and **have been specially developed for the use with this ultrasonic humidifier**:



Eucalyptus	10ml
Lavender	10ml
Mountain	10ml
Relax	10ml

To order:

<https://www.cleanairoptima.com>
<https://www.cleanairoptima.co.uk>

Effectiveness

Essential oils (also called volatile oils) stimulate our olfactory sense through their volatility and are perceived as aromatic. Essential oils naturally evaporate with time.

The **air humidifier CA-603 by Clean Air Optima works** according to the newest nebulisation technology based on ultrasound in order to atomise essential oils and water into microscopically small drops. Thanks to this technology the components and the water can unfold their beneficial potential for humans.

Filling and refilling with essential oils:



Open the aroma box at the side of the device, pour 5 – 10 drops of your favorite essential oil on the pas and close the aroma box. In order to reach the best effect, **please ONLY use the high quality essential oils and compositions from the Clean Air Optima assortment**.

Warning!

The use of other essential oils not made for this air humidifier or other additives (for example pure essential oils, fragrances, water purification products) can damage the air humidifier and must NOT be used! Even a small quantity can damage the plastic and cause cracks. The material is not made for the use of additives. One drop is enough to damage the water tank/ basin and disable the device. Devices that are damaged through additives are excluded from the guarantee.

The **Clean Air Optima CA-603** is equipped with a **White Dust & Anti-Microbial Filter**. It consists of an inner cylinder, an outer cover and a number of small plastic and ceramic balls. The plastic balls are embedded with nano-silver, an anti-microbial agent designed to purify the water and destroy microbes such as bacteria and mould. The ceramic balls function to soften the water by adhering to minerals that cause white dust. They also serve to remove any unpleasant odour from the water. The filter must be replaced at least every three months or after 400 hours of operation of the humidifier. See the **Maintenance section** of more information.



Operating Instructions

Before getting started, please remove the **Clean Air Optima CA-603** from its box and allow it to become accustomed to the room temperature for at least 30 minutes especially if the machine is cold from the outside air. The CA-603 is designed to operate at temperatures between 5 -40 °C and relative humidity of less than 80%.

To get started, first remove the nozzle than grasp the water tank by the handle at the top and lift from the base. Next, flip the tank over and unscrew and remove the water tank lid and filter.

Then place the water tank under the faucet for filling. Fill the tank with tap water (or other clean water source with water temperature under 40°C), re-insert the lid and filter. Flip the water tank once again until it is on the right side up. Ensure that the basin is clean and then carefully place the water tank back on the lower body.

Wait a few seconds until the water tank lid starts to release water into the basin. You will hear a bubbling sound as the air enters the water tank. Plug the power cord into the electrical outlet (NEVER SWITCH ON THE HUMIDIFIER WITHOUT WATER IN THE BASIN). If the humidifier is switched off, the power icon should now be red and the values for temperature and humidity will now be displayed.

Press the **On/Off Button** to activate the humidifier. The machine is now operating in manual mode. It will release cool mist on a constant basis with the mist intensity level automatically set to medium. The nozzle jet at the top of the machine can be rotated to blow mist in 360 degrees directions. You may also lift the nozzle from the water tank, adjust the positions and reinsert back into the top of the water tank. The output nozzle jet should not be set to spray directly onto people, electrical devices or any obstructions. It is best to direct the nozzle jet into the open air.

The **Min/Max Button** changes the mist level (low, medium, high). This change is displayed on the LCD screen by the numbers 1, 2, 3. If the machine is in automatic mode, it will automatically adjust the mist intensity.

Pressing the **Humidity Button** activates automatic mode. You can select the desired humidity level by pressing this button repeatedly until the required humidity level is displayed (from 45% to 75% in increments of 5%). Once you select your desired humidity level, simply stop pressing the button and your humidity level will be set. Wait another 5 seconds and the numeric value on the LCD display will switch to the current humidity level as measured by the built-in Hygrostat. When the humidity level in the room reaches the set humidity level, the machine will go into automatic sleep state and stop producing mist. When the room's actual humidity level drops below your set humidity level then the machine will start producing mist again.

You can deactivate automatic mode very easily by pressing the humidity button until you reach 75% RH. Press the button one more time and you will now be in manual mode.

Pressing the **Ion Button** will activate the negative ion generator and start sending healthy negative ions into the air. It will be represented by the tree icon displayed on the LCD screen.

The **Timer Button** sets the timer. The timer function determines how many hours the humidifier will operate. You can set the timer simply by pressing it once for each two hours that you would like to run the unit. You can set the timer from 1 hour to 12 hours. As time passes, the time value decreases until it goes to 00:00 and the machine shuts off.

If the humidifier should run out of water, you will hear a beeping sound before the machine will automatically shut off. The LCD screen will display the **Empty Water Tank** icon.

Troubleshooting

The following is a troubleshooting guide to help you solve any issues that you may have with the operation of the **Clean Air Optima CA-603**.

Trouble	Possible reasons	Solution
Power icon is off or does not work.	Humidifier not plugged into the power outlet.	Connect power cord to electrical outlet and press power button.
Power light is on but no mist.	No water in water tank.	Fill water tank with water.
The mist has a strange odour.	A new machine.	Remove the water tank, unscrew the lid and let it air out in a cool area for 12 hours.
	It either has dirty water or the water has been stagnant too long.	Clean the water tank and refill with clean water.
Power light is on, but the machine doesn't work.	Too much water in the water basin.	Remove the water tank. Take a small cup and remove some of the water from the machine's water basin. Reinsert the water tank and make sure that it sits properly.
The volume of spray mist is too low.	Too much mineral scale in the water basin.	Clean transducer.
	Water is too dirty or water was kept too long in the tank.	Clean the water tank and refill with clean water.
Abnormal noise	Vibration in the water tank because the water level is too low.	Fill the water tank.

Machine is on an unstable surface.

Move the unit to a stable flat surface.

Spray mist is coming out of the area around nozzle jet.

There are gaps between the housing around jet nozzle and the top of the water tank.

Remove the jet nozzle from the top of the water tank and clean with a damp cloth. Reattach to the water tank.

The following is not considered faulty operation:

- If your water is very hard (containing abnormally high levels of minerals) the humidifier may produce white dust. This is not a malfunction. The solution would be to clean the filter more often or use softer water.
- If you stand very close to the humidifier, you will hear the gurgling sound of water. This is normal.
- The machine operates very quietly but it is not completely silent. Noise levels less than 25 db is considered normal.

WARNING!

If the above recommended solutions do not work, please contact *Clean Air Optima* technical support at the telephone number for your region. Do not attempt to disassemble, repair and reassemble the machine as it may void the warranty.

Cleaning and maintenance.

You can ensure that your **Clean Air Optima® CA-603** humidifier will provide years of trouble-free operation by following a few simple maintenance procedures. If your water is hard and contains high concentrations of calcium and other minerals, over time white dust (lime) will start to settle on the various surfaces in the room. A white deposit (lime scale) will also form in the water basin, on the **transducer** and on the interior of the **water tank**. Lime deposits will impair the proper functioning of the **transducer** and the efficient hygienic humidification of the unit.

We recommend the following:

1. Clean the **transducer** and the **water basin** once a week if you use the appliance daily with **Clean Air Optima® Cleaner & Descaler**.
2. As soon as the water tank needs refilling, pour out any remaining water and fill it with fresh water.
3. Clean the entire device and keep all parts completely dry when the device is not in use.



Specially developed for **Clean Air Optima®** humidifiers

- Not aggressive
- Protects plastic and ceramic materials of the humidifier
- Odour neutral
- Cleans & descales quickly and thoroughly
- Biodegradable

You can order the **Clean Air Optima® Cleaner & Descaler** from our online shop at www.cleanairoptima.com.

Cleaning the transducer and water basin

Unplug the device.

During cleaning and descaling, the device must not be used.

Remove any splashes of **Clean Air Optima® Cleaner & Descaler** from work surfaces or the outside of the device with a soft, damp cloth.

1. Pour two capfuls of **Clean Air Optima® Cleaner & Descaler** into the **water basin** (one onto the surface of the **transducer** and one in the **water basin**) and leave for between two and five minutes.
2. Carefully remove the mineral (lime) layer from the surface of the **transducer** with a small brush, cotton swab or toothbrush.

Caution: never use sharp or hard objects to clean the **transducer**.

3. Then add water up to the rim of the **water basin** and leave for a minimum of 30 and a maximum of 60 minutes.
4. Rinse the **transducer** and **water basin** thoroughly with water.
5. If there are still traces of limescale visible, we recommend that you repeat the cleaning and descaling process.
6. Clean the inside of the **water tank** with a mild detergent and rinse with clean water.


After cleaning and descaling, your device is hygienically clean, free of limescale, free of bacteria, free of viruses and immediately ready for use again.

Please note:

For cleaning and descaling, the device must be turned off/unplugged, so that no acid is released into the air via aerosols through ultrasonic misting.

Replacing the Clean Air Optima® Water Filter W-03

The **Clean Air Optima CA-603** is equipped with a filter lifespan surveillance mechanism that signals that the water filter have to be replaced after 400 working hours. To show

that the Water Filter **W-03** need to be replaced, the humidifier emits a double zero  indicator light. Reset the timer for the water filter by pressing and holding the power button for about 3 seconds. If the indicator light goes out, the timer has been successfully reset.

The Water Filter **W-03** reduces the limescale in the water and the undesirable emission of limescale particles into the room surroundings. Effective for one to three months, depending on the water hardness. Install a new Water Filter **W-03** every 2 to 3 months, depending on the water hardness.

1. Unscrew the Water Filter **W-03** from the bottom of the water tank.
2. Dispose of the saturated Water Filter **W-03** with your regular household waste.
3. Screw the Water Filter **W-03** to the bottom of the water tank.

If you don't plan to use the humidifier for a long time, remove the filter from the water tank and let it dry thoroughly. Then wrap it in protective packaging and keep it next to the humidifier in a cool, dry and dark storage space.

How to change batteries in the remote control

1. Flip the remote on its side.
2. Press the battery release on the bottom edge of the remote.
3. Grasp the battery socket and pull the battery out.
4. Replace battery with Lithium battery CR2025.



Why humidify the Air?

When the air is dry, especially in the winter months, it can become unpleasant and even unhealthy, leading to increased levels of static electricity, dry skin, cracked lips and even nose bleeds. Optimal humidity is between 45 to 55% relative humidity. During the winter months though, relative humidity in the average home can drop to below 20%. Low humidity can lead to a variety of conditions that cause ill health. Dust particles, bacteria, viruses, dust mite feces that are normally trapped by the moist nasal membrane lining in the nose can more easily get into the lungs when the air is dryer and thus reduce the body's natural defence mechanism. These invaders overload the immune system and irritate the mucous membranes resulting in more coughing and susceptibility to disease. The **Clean Air Optima CA-603** is an ideal ultrasonic humidifier for homes, apartments, offices and anywhere where is low humidity. Ultrasonic water vapour is highly beneficial to individuals. Their biggest advantage is high performance combined with low energy consumption.

The major benefits

- Air humidification, air purification and aromatherapy. Refreshes and improves indoor air quality
- 3-in-1: Humidification, air purification and aromatherapy System!
- Permanent ceramic / nano-silver filter: no replacement filters needed!
- Three functions: cold humidification / with or without air purification / aromatherapy
- Built-in digital hygrometer and adjustable output control give controlled humidification
- Minimum humidity setting 45%, Maximum 75%
- Target humidity can be regulated on the appliance
- Built-in Ionizer purifies the air additionally and provides fresh air
- *360° Rotatable nozzle jet for broader spray mist coverage*
- Operable with infrared remote control or touch buttons on the display
- With LCD display and timer control for up to 12 hours of operation
- Virtually silent operation ensures a quiet and restful sleep
- The ultrasonic is hygienically flawless if cleaned regularly and the ceramic/nano-silver cartridge is cleaned as indicated
- Permanent, easy to clean ceramic nano-silver filter for control of white dust, mould and bacteria
- Safely and automatically shuts off when it runs out of water
- Low water indicator notifies when to refill the tank
- Large capacity water tank (5L, 1.32 US gallons) easy refills with normal tap water
- Runs up to 5 nights or 50 hours without refilling (low setting)
- Save money. No wicks or filters to replace!
- Low power consumption

Applicable for small and larger rooms up to 480 ft² / 45m² / 100m³

Benefits of proper humidification

- reduces discomfort, tiredness, sickness
- reduces susceptibility to colds
- reduces chapped lips, dry, red eyes and dry, itchy skin
- helps to feel and sleep better
- can help you recover sooner from a cold
- reduces damage to wooden objects
- reduces the negative effect of dry air on musical instruments
- reduces static electricity charge
- helps to keep your voice tuned

Benefits of ionisation

Ionised air strengthens our defence systems and our vitality and ionisation purifies the air by

reducing the particles, micro-organisms, viruses & allergens!

Product specifications

- Type: Clean Air Optima CA-603
- Ultrasonic humidifier for cold mist capacity
- Mist Evaporation Rate: Low 120 ml / hr (3.4 fl oz) High 300 ml / hr (10.1 fl oz)
- Negative Ion Output: 3.000.000/cm³ (49.161.000/inch³)
- Active oxygen <0.05 ppm
- Water tank capacity 5L (1.32 US gallons)
- Very low noise level <25 dB
- Dimensions (LxWxH) 33,5 x 15 x 28,5 cm
- Weight: 2,6kg (7.8lbs) dry
- Color: black
- Energy consumption only 30 watts
- Power supply 220 - 240V, 50/60 Hz

At the end of the product life cycle, you should not throw this machine into the normal household garbage but bring the product to a collection point for the recycling of electrical and electronic equipment.



WARRANTY CERTIFICATE FOR THE **Clean Air Optima CA-603**

Date of purchase:

Customers name:

Address:

Telephone:

Email:

Seller's name:

Address:

1. Please fill in completely this Warranty Certificate. Send it with the invoice and the unit, postage pre-paid and using the original packing box, to your distributor. Make sure to include the appropriate return postage for the package.
2. Please enclose a short description of the damage, fault or malfunction, and the circumstances under which these problems arose.

The **Clean Air Optima CA-603** is subjected to strict testing procedures before leaving the factory. If within two years from the date of purchase the product does not perform according to the specifications, because of factory defects, the purchaser is entitled to free repairs or replacement of parts upon presentation of this warranty (provided that the malfunction or damage to the device and/or parts occurred under normal operating conditions). What is covered: All parts defective in material and workmanship. For how long: Two years from purchase date. What we will do: Repair or replace any defective parts. Exclusions: Regular replacement parts such as filter cartridge

Other Conditions

The provisions of this warranty are in lieu of any other written warranty whether express or implied, written or oral, including any warranty of merchantability or fitness for a particular purpose. The manufacturer's maximum liability shall not exceed the actual purchase price paid by

you for the product. In no event shall the manufacturer be liable for special, incidental, consequential, or indirect damages. This warranty does not cover a defect that has resulted from improper or unreasonable use or maintenance, faulty assembly, accident, natural catastrophes, improper packing, or unauthorized tampering, alteration, or modification as determined solely by us. This warranty is void if the label bearing the serial number has been removed or defaced.

Clean Air Service Center

David Ricardostraat 9-9
7559 SH Hengelo (ov)
The Netherlands
Tel: + 31 (0) 74 - 2670145
Fax: + 31 (0) 74 - 2671789
E-mail: info@cleanairoptima.com
Internet: www.cleanairoptima.com

Ultraschall Luftbefeuchter
mit Ionisator und Aromatherapie
CA-603



Anleitung



WICHTIG: Um das Risiko von Brand, Stromschlag oder Verletzung beim Gebrauch von Elektrogeräten zu reduzieren, sollten Sie folgenden Sicherheitshinweise stets eingehalten werden:

Gebrauchsanleitung bitte sorgfältig aufbewahren!

Sicherheitshinweise

- Gerät nur gemäß Angaben auf dem Typenschild anschließen und betreiben.
- Nur benutzen, wenn Zuleitung und Gerät keine Beschädigungen aufweisen. Vor jedem Gebrauch überprüfen!
- Platzieren Sie das Kabel so, dass das Gerät nicht umgeworfen werden kann.
- Dieses Gerät darf nicht benutzt werden von Kindern und Personen mit eingeschränkter geistiger Fähigkeit oder mangelndem Wissen, es sei denn, sie werden durch eine für ihre Sicherheit zuständige Person beaufsichtigt oder erhalten Anweisung, wie das Gerät zu nutzen ist. Es ist sicherzustellen, dass Kinder nicht mit dem Gerät spielen.
- Stellen Sie das Gerät nicht im Sonnenlicht oder an Orten mit hohen Temperaturen auf.
- Stellen Sie das Gerät nicht in der Nähe von Wärmequellen wie Kaminöfen und Heizungen auf.
- Stecker ziehen nach jedem Gebrauch oder im Fehlerfall.
- Reißen Sie nicht an der Netzanschlussleitung. Scheuern Sie diese nicht an Kanten und klemmen Sie diese nicht ein.
- Schalten Sie stets alle Steuerungen aus, bevor Sie den Luftbefeuchter vom Strom nehmen.
- Stellen Sie sicher, dass das Gerät an eine richtig geerdete Netzsteckdose angeschlossen ist.
- Bei Nicht-Benutzung schalten Sie das Gerät bitte aus.
- Fehlfunktionen des Gerätes sollten nur vom Fachmann behoben werden. Die Garantie erlischt bei Beschädigungen des Geräts durch eine unsachgemäße Reparatur.
- Halten Sie das Netzkabel von warmen Oberflächen fern.
- Benutzen Sie niemals das Gerät bei Beschädigung des Netzkabels oder des Netzsteckers. Beschädigte Teile unbedingt von qualifiziertem Servicepersonal auswechseln lassen.
- Beim Ziehen des Netzsteckers aus der Netzsteckdose ziehen Sie direkt am Netzstecker, ziehen Sie nicht am Netzkabel.
- Die Anschlussleitung nicht mit nassen Händen anfassen.
- Lassen Sie das Gerät während des Betriebs niemals ohne Aufsicht.
- Bewahren Sie das Gerät nicht im Freien oder einem feuchten Raum auf.
- Tauchen Sie das Gerät nicht in Wasser.
- Luftaustritt des Geräts unbedingt freihalten. Keine Gegenstände darauf platzieren.
- Wasserzusätze (z.B. ätherische Öle, Duftstoffe, Wasserreinhaltmittel) nicht verwenden. Das Material ist nicht für den Gebrauch von Zusätzen geeignet. Geräte die durch Zusätze beschädigt werden, sind von der Garantie ausgenommen.
- Schalten Sie das Gerät immer ab, wenn der Tank leer ist oder wenn Sie das Gerät nicht benutzen. Wenn das Gerät länger nicht benutzt wird, ziehen Sie den Netzstecker und reinigen das Gerät.
- Benutzen Sie das Gerät niemals nach einer Fehlfunktion, z.B. wenn es heruntergefallen ist oder auf eine andere Weise beschädigt wurde. Der Hersteller übernimmt keine Verantwortung bei falschem Gebrauch, der durch Nichtbeachtung der Gebrauchsanleitung zustande kommt. Reparaturen am Gerät, wie z.B. eine beschädigte Zuleitung austauschen, dürfen nur durch einen Kundendienst ausgeführt werden, um Gefährdungen zu vermeiden.
- Das Gerät darf nicht mit einer Zeitschaltuhr oder mit einem separaten Fernwirsystem betrieben werden!
- Wenn Sie annormale Gerüche bemerken stellen Sie das Gerät ab und wenden Sie sich an den Kundendienst.
- Die Ventilationsöffnung nie auf elektrische Geräte oder Steckdosen richten.
- Die Ultraschallschwingung ist für Mensch und Tier nicht hörbar und völlig ungefährlich.

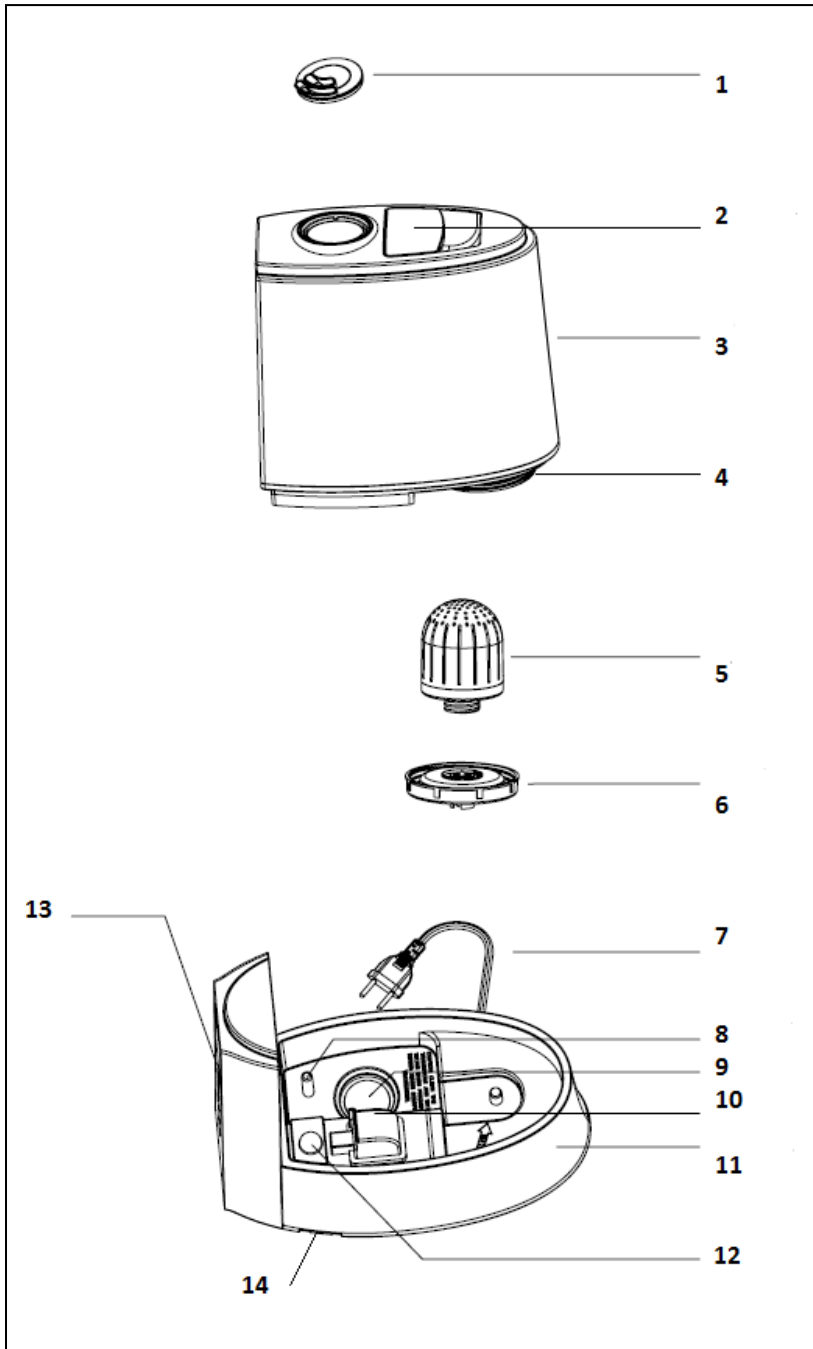









Diagramm Luftbefeuchter CA-603

1. Richtungsdüse
2. Wassertank Griff
3. Wassertank
4. Nachfüllen von Wasser im Tank
5. Keramisch / Nano-Silber Filter mit permanenter Lebensdauer
6. Schraubdeckel / Dichtung Tank
7. Netzstecker
8. Wasser Niveau Sensor
9. Ultraschall Seductor
10. Ventilator/Ionisator
11. Gehäuseboden / Wasserbecken
12. LED-Licht / Anzeige an
13. LED Display mit Sensortasten
14. Aroma box

Das Gerät kann mit fünf Sensortasten auf der Vorderseite im Display gesteuert werden.

	ON/OFF	-	Ein / Aus
	Ion	-	Ein / Aus-Ionisor
	Max/Min	-	Ändern von Ventilatorgeschwindigkeit
	Humidity	-	Einstellen gewünschte Luftfeuchtigkeit
	Timer	-	Einstellen der automatischen Abschaltung

Das Gerät kann auch mit fünf Tasten auf der Fernbedienung bedient werden. Die Funktionen sind identisch mit den Funktionstasten mit dem gleichen Namen direkt auf dem Gerät. Für die erste Benutzung der Fernbedienung ist nötig, die Schutzfolie von der Batterie zu entfernen.

	 - ON/OFF
	 - Max/Min
	 - Humidity
	 - Ionisator
	 - Timer

Aromatherapie

Wichtig

Damit Sie den gewünschten Erfolg erzielen und recht lange Freude an Ihrem **CLEAN AIR OPTIMA Ultraschall Luftbefeuchter** haben, empfehlen wir Ihnen, die nachstehenden Hinweise zum Gebrauch von ätherischen Öle in den **CLEAN AIR OPTIMA Ultraschall Luftbefeuchter CA-603** sorgfältig durchzulesen.

Anwendung ätherischer Öle in den CLEAN AIR OPTIMA CA-603

Verwenden Sie unsere hochwertigen ätherischen Öle und genießen Sie Ihre persönliche Aromatherapie! Ein Dufterlebnis auf höchstem Niveau!

Passend zu dem **CLEAN AIR OPTIMA Ultraschall Luftbefeuchter CA-603** finden Sie in unserem Sortiment qualitativ hochwertige ätherische Öle in vielen Duftrichtungen **welcher speziell entwickelt worden sind für Anwendung in Ultraschall Luftbefeuchter:**



Eukalyptus	10ml
Lavendel	10ml
Mountain	10ml
Relax	10ml

Bestellen:

DE: <https://www.optima-luftreiniger.de>
AT: <https://www.cleanairoptima.at>
CH: <https://www.cleanairoptima.ch>

Wirkweise

Ätherische Öle (auch essentielle Öle genannt) reizen durch Ihre Flüchtigkeit den Geruchssinn und werden meist als aromatisch empfunden. Ätherische Öle haben als natürliche Eigenschaft dass Sie im Laufe der Zeit verdunsten.

Der **Clean Air Optima Ultraschall Luftbefeuchter CA-603 arbeitet** nach der neuesten Zerstäubungstechnologie auf Ultraschallbasis, um ätherische Öle und Wasser in mikroskopisch kleine Tröpfchen zu zerstäuben. Durch diese Technologie sind die Wirkstoffe und das Wasser in der Lage, ihr wohltuendes Potential für den Menschen zu entfalten.

Einfüllen bzw. nachfüllen Ätherische Öle:



Aroma box an der Seite des Geräts öffnen, ca. 5 - 10 Tropfen ihres bevorzugten ätherischen Öls in den pad einfüllen und schließen Sie die den Aromabox wieder. Um den besten Effekt zu erreichen, **verwenden Sie bitte AUSSCHLIESSLICH die hochwertigen ätherischen Öle und Kompositionen aus dem Clean Air Optima Sortiment.**

Achtung!

Anwendung andere, nicht für Ultraschall Luftbefeuchter geeignete ätherische Öle oder andere Wasserzusätze (z.B. Pure ätherische Öle, Duftstoffe, Wasserreinhaltemittel) können dem Luftbefeuchter Schaden zufügen und dürfen NICHT verwendet werden! Auch eine kleine Menge kann den Kunststoff beschädigen/Risse bilden. Das Material ist nicht für den Gebrauch von Zusätzen geeignet. Ein Tropfen genügt, um den Wassertank/Wasserbehälter zu beschädigen und damit das Gerät unbrauchbar zu machen. Geräte die durch Zusätze beschädigt werden, sind von der Garantie ausgenommen.

Der **Clean Air Optima CA-603** Luftbefeuchter ist mit einem Keramisch / Nano-Silber Filter ausgestattet. Das Filter besteht aus einem Zylinder mit kleine Kunststoff-und Keramik-Kugeln. Die Kunststoff-Kugeln sind mit Nano-Silber eingebettet und reduziert bakterielles Wachstum in das Wasser. Der Boden des Wassertanks und des Bassins ist auch mit Nano-Silber gemischt und vermindert Bakterienbildung. Die Keramik-Kugeln sorgen für hygienisch reinen Wasserdampf, Entkalkung und beseitigt Gerüche in das Wasser. Das Filter muss mindestens 1 Mal pro drei Monaten ersetzt werden oder nach 400 Betriebsstunden. Siehe Abschnitt **Ersetzen** für weitere Anweisungen.



Inbetriebnahme des Gerätes

Das Gerät dient zur Befeuchtung der Raumluft.

Stellen Sie das Gerät auf eine feste ebene und wasserunempfindliche Fläche, 60 cm vom Boden und mindestens 20 cm von der Wand. Stellen Sie das Gerät nicht auf meubulair. Zum Füllen der Wassertanks entfernen Sie die Richtungsdüse und öffnen den Schraubdeckel an der Unterseite des Tanks.

Füllen Sie kaltes Wasser ein (kein warmes Wasser, kann zu Leckagen leiten). Bei stark kalkhaltigem Wasser benutzen Sie destilliertes oder abgekochtes Wasser. Keine Chemikalien, Lösungsmittel oder Ähnliches einfüllen. Schrauben Sie den Deckel danach wieder gut fest. Setzen Sie den Tank auf das Unterteil und legen Sie die Richtungsdüse auf. Achten Sie darauf, dass der Tank richtig sitzt, damit das Gerät korrekt arbeiten kann.

Stecken Sie den Stecker in die Steckdose.

Drücken Sie die **"ON/OFF"** Taste. Das Wasser wird mit Hochfrequenzschwingungen in mikrofeinen Nebel umgewandelt, der dann durch einen leisen Ventilator an die Innenraumluft abgegeben wird und sofort verdunstet. Darauf achten, dass der austretende Nebel nicht gegen Steckdosen, Wände und andere Gegenstände gerichtet wird.

Wenn kein oder zu wenig Wasser im Tank ist hören Sie ein Signal. Desweiteren erscheint in das Display die relative Luftfeuchtigkeit (%RH), Temperatur und Wasserdampf Stufe 1, 2 oder 3.

Mit der Taste **"Humidity"** kann man die Luftfeuchtigkeit von 45-75% relative Luftfeuchtigkeit in der Umgebung des Gerätes einstellen. Hat das Gerät die eingestellte Luftfeuchtigkeit erreicht schaltet der Luftbefeuchter sich ab. Bei Unterschreitung der Luftfeuchtigkeit stellt es sich wieder ein.

Nach einstellung relative Luftfeuchtigkeit arbeitet das system automatisch.

Mit der **"MAX/MIN."** Taste verändern Sie die Ventilatorgeschwindigkeit und damit die Menge an zerstäubten Wasser.

Mit der Taste **"Ion"** (Ionisation) wird die Ausblasluft mit negativen Ionen angereichert. Integrierter Ionisator reinigt und erfrischt die Luft zusätzlich mit negativen Sauerstoffionen. Der Effekt ist pure Natur: Nach einem Sommergewitter ist die Luft besonders reich an negativen Ionen und deshalb besonders frisch.

Anzahl der Ionen pro Kubikzentimeter Luft:

In Höhenlagen 8000 Ionen / cm³

Am Meer 4000 Ionen / cm³

Am Land 1200 Ionen / cm³

In der Stadt 200 Ionen / cm³

Im Büro nur 20 Ionen / cm³

Mit der **"Timer"** Taste kann man durch Drücken die Zeit umstellen für automatische Abschaltung, 1mal Drücken 1Std, mit jedem Druck verändert sich die Zeit bis auf 12 Stunden. Die eingegebene Zeit ist im Display unten der Uhr ersichtlich.

Luftfeuchtigkeit (= Humidity)

Die Procente von Wasserdampf in einem Raum und die Lufttemperatur sind die relative Luftfeuchtigkeit. Die Luft enthält mehr oder weniger Luftfeuchtigkeit. Das Verhältnis von Wasserdampf zu Luft variiert zu den verschiedenen Temperaturen. Je höher die Temperatur umso weniger Wasserdampf ist in der Luft.

Im Winter kommt die kalte Luft von außen und wird wärmer durch die Raumtemperatur. Die relative Luftfeuchtigkeit verringert sich. Die Luftfeuchtigkeit kann mit dem Clean Air Optima Luftbefeuchter angehoben werden.

Die relative Luftfeuchtigkeit sollte sein:

Schlaf- und Wohnzimmer 45-60%

Patientenzimmer 40-50%

Bibliotheken 40-50%

Reinigung und Wartung.

Sie können selbst dazu beitragen, dass Ihr **Clean Air Optima® CA-603** Luftbefeuchter jahrelang einwandfrei funktioniert: Beachten Sie dazu einige einfache Wartungshinweise. Wenn Sie hartes Wasser haben, das zudem hohe Konzentrationen an Kalzium und anderen Mineralstoffen aufweist, kann sich im Laufe der Zeit ein weißer Niederschlag (Kalk) auf verschiedenen Flächen im Raum ablagern. Auch im **Wasserbecken**, auf dem **ultraschall Seductor** und innen im Wassertank können weiße Ablagerungen (Kalk) entstehen. Diese Kalkablagerungen können eine einwandfreie Funktionsweise des **ultraschall Seductors** sowie die effiziente hygienische Luftbefeuchtung behindern.

Wir empfehlen Folgendes:

1. Wenn Sie das Gerät täglich verwenden, reinigen Sie den **ultraschall Seductor** und den **Wasserbecken** einmal pro Woche mit **Clean Air Optima® Reiniger & Entkalker**.
2. Gießen Sie das restliche Wasser aus dem Wassertank und füllen Sie ihn mit frischem Wasser, sobald der Wassertank nachgefüllt werden muss.
3. Reinigen Sie das gesamte Gerät und halten Sie alle Bauteile vollständig trocken, wenn das Gerät nicht verwendet wird.



Speziell entwickelt für **Clean Air Optima®** Luftbefeuchter:

- nicht aggressiv
- schützt Kunststoff und keramische Materialien des Luftbefeuchters.
- geruchsneutral
- reinigt & entkalkt schnell und gründlich
- biologisch abbaubar

Sie können den **Clean Air Optima® Reiniger & Entkalker** in unserem Online-Shop auf www.cleanairoptima.com bestellen.

Den ultraschall Seductor und den Wasserbecken reinigen

Schalten Sie das Gerät aus.

Während Sie das Gerät reinigen und entkalken, darf es nicht verwendet werden.

Entfernen Sie Spritzer des **Clean Air Optima® Reiniger & Entkalker** auf einer Arbeitsfläche oder an der Außenseite des Geräts mit einem weichen, feuchten Tuch.

1. Geben Sie zwei Kappen **Clean Air Optima® Reiniger & Entkalker** in das **Wasserbecken** (eine auf die Oberfläche des **ultraschall Seductors** und eine in das **Wasserbecken**) und lassen Sie ihn zwei bis fünf Minuten einwirken.
2. Entfernen Sie die Mineralschicht (Kalk) mit einer kleinen Bürste, einem Wattestäbchen oder einer Zahnbürste vorsichtig von der Oberfläche des Transduktors. Hinweis: Verwenden Sie keinesfalls scharfkantige oder harte Gegenstände zur Reinigung des ultraschall Seductors

3. Füllen Sie anschließend Wasser bis an den Rand des **Wasserbecken** und lassen Sie es mindestens 30 Minuten und höchstens 60 Minuten einwirken.
4. Spülen Sie den **ultraschall Seduktor** und den **Wasserbecken** gründlich mit Wasser ab.
5. Wenn noch Reste der Kalkablagerungen zu sehen sind, empfehlen wir Ihnen, Reinigung und Entkalken zu wiederholen.
6. Reinigen Sie die Innenseite des **Wasserbecken** mit einem milden Spülmittel und spülen Sie mit sauberem Wasser nach.


Nach dem Reinigen und Entkalken ist Ihr Gerät hygienisch sauber, kalkfrei und frei von Bakterien und Viren; das Gerät kann sofort wieder verwendet werden.

Achtung:

Beim Reinigen und Entkalken muss das Gerät ausgeschaltet sein, damit durch die Ultraschall-Vernebelung keine Säure über Aerosole in die Luft gelangt.

Ersetzen des Clean Air Optima® Wasserfilter W-03

Der Clean Air Optima CA-603 ist mit einem Mechanismus zur Überwachung der Filterlebensdauer ausgestattet, der signalisiert, dass die Wasserfilter nach 400 Betriebsstunden ausgetauscht werden müs. Um anzuzeigen, dass die Wasserfilter **W-03** ausgetauscht werden müs, blinkt eine

Kontrollleuchte  am Luftbefeuchter. Setzen Sie den Timer für den Wasserfilter zurück. Halten Sie die Taste Ein/Aus für ca. 3 Sekunden gedrückt. Wenn die Kontrollleuchte erlischt, wurde der Timer erfolgreich zurückgesetzt.

Der Wasserfilter **W-03** reduziert den Kalk im Wasser und die unerwünschte Emission von Kalkpartikeln in die Raumumgebung. Je nach Wasserhärte ein bis drei Monate wirksam. Setzen Sie je nach Wasserhärte alle 2 bis 3 Monate einen neuen Wasserfilter W-02 ein.

1. Schrauben Sie den Wasserfilter **W-03** aus dem Boden des Wassertanks.
2. Entsorgen Sie den gesättigten Wasserfilter **W-03** mit dem normalen Hausmüll.
3. 3. Schrauben Sie den Wasserfilter **W-03** auf den Boden des Wassertanks.

Fernbedienung

Mit der Fernbedienung können Sie alle Funktionen steuern. Achten Sie darauf, dass sich keine Hindernisse zwischen dem Gerät und der Fernbedienung befinden. Dies kann zu Fehlern führen.

Technische Daten:

- **Clean Air Optima CA-603: Luftbefeuchter für mittelgroße Wohn- und Arbeitsräume**
- Befeuchtet, reinigt und aromatisiert. Erfrischt und verbessert die Luftqualität in Innenräumen
- 3-in-1: Luftbefeuchtung, Luftreinigung und Aromatherapie
- Keramisch / Nano-Silber Filter mit permanenter Lebensdauer. Kein Filteraustausch erforderlich!
- Technik: Ultraschall mit Kaltem Wasservernebelung
Integrierter Ionisator für Luftreinigung
Digitale Hygrostat für einstellung Luftfeuchtigkeit von 45 – 75%
Fernbedienung
LCD Bediendisplay
Bedienbar durch Sensortasten im Bedienfeld
Timerfunktion 12 Stunden
- Befeuchtungsleistung: ca. 120 ml/h bis 300 ml/h
- Betriebszeit: 50 Stunden / 5 Nächte pro Füllung (Einstellung Minimalleistung)
- Negative Ionen: 3.000.000/cm³
- Aktiv Sauerstoff: < 0,05 ppm
- Raumgröße: Geeignet für Räume bis 45m² / 100m³
- Anschlußwert: max. 30 Watt
- Stromspannung: 220 – 240V, 50 / 60 Hz
- Zusätzlicher Keramik / Nano-Silber Filter sorgt für hygienisch reinen Wassernebel
- Kein Filter Nachkauf
- Sehr leise <25dB
- Abnehmbarer Wassertank: Ja
- Inhalt Wasserbehälter: 5 Liter
- Farbe: Schwarz
- Maße: 33,5 x 15 x 28,5 cm
- Gewicht: 2,6kg Trocken
- Kabellänge: 145 cm

Anwendung & Wartung

Für Anwendung Kaltes oder Destilliertes Wasser.

Reinigung Ultraschall Schwingelement, Wassertank und Behälter Wöchentlich.

Gerät Regelmäßig mit frischem Wasser versorgen.

Bei längeren Auszeit das Gerät gründlich reinigen und alle Teile gut Trocknen lassen.

Hinweise zum Umweltschutz



Dieses Produkt darf am Ende seiner Lebensdauer nicht über den normalen Haushaltsabfall entsorgt werden, sondern muss an einem Sammelpunkt für das Recycling von elektrischen und elektronischen Geräten abgegeben werden. Das Symbol auf dem Produkt, der Gebrauchsanleitung oder der Verpackung weist darauf hin.

Die Werkstoffe sind gemäß ihrer Kennzeichnung wieder verwendbar. Mit der Wiederverwendung, der stofflichen Verwertung oder anderen Formen der Verwertung von Altgeräten leisten Sie einen wichtigen Beitrag zum Schutze unserer Umwelt.

Bitte erfragen Sie bei der Gemeindeverwaltung die zuständige Entsorgungsstelle.

Garantieschein

Artikel:
Kunde: Ort: Plz.:
Auftragsnummer:
Geschäft:
Kaufdatum:
Garantieperiode:

Mit Ihrer Entscheidung zum Kauf eines Luftbefeuchter von **Clean Air Optima** können Sie ein hochwertiges Qualitätsprodukt Ihr Eigen nennen.

Gemäß dem zum 01. Januar 2002 geänderten europäischen Gewährleistungsrecht steht Ihnen eine gesetzliche Gewährleistungsfrist von 2 Jahren zu.

2 Jahre Garantie:

1. Alle Komponenten der **Clean Air Optima** Luftbefeuchter unterliegen und durchlaufen einer strengen Qualitätskontrolle bevor sie die Fabrik verlassen dürfen. Kunden können innerhalb von zwei Jahren ab Kaufdatum kostenlose Reparatur oder Ersatz von/für defekte Teile/Geräten in Anspruch nehmen, wenn unsere Firma sicher ist, dass die Störung oder der Defekt im normalen Gebrauch aufgetreten sind und nicht von außen herbeigeführt wurden.
2. Diese Garantie kann natürlich nicht in Anspruch genommen werden, wenn Schäden durch unsachgemäße Handhabung, Aufmachen des Gehäuses und Manipulation außerhalb der in der Gebrauchsanleitung beschriebenen Arbeiten, falsche Energiezufuhr, Wasserschäden oder andere von außen zugeführte Gewalten zu Grunde liegen.
3. Heben Sie den Garantieschein gemeinsam mit der Rechnung auf, um im Falle eines Falles Anspruch auf Garantie erheben zu können.

Der Garantie Anspruch ist zu richten an:

E-Mail: info@optima-luftreiniger.de

Fax: +49 (0) 5921 879 150

Senden Sie die Ware ausreichend frankiert mit ausgefüllten Garantieschein, Kopie der Rechnung + kurze Beschreibung vom aufgetretenen defekt an folgende Adresse:

Clean Air Service Center

Enschedestraße 14
48529 Nordhorn
DEUTSCHLAND

Wir können nur frankierte Warensendungen in Empfang nehmen. Verwenden Sie für die Rücksendung von Produkte unsere Original-Verpackung oder aber eine robuste Verpackung in mindestens gleicher Größe wie diese.

Ultrasoon luchtbevochtiger
met ionisator en aromatherapie
CA-603



Handleiding



Gefeliciteerd met de aankoop van uw nieuwe **Clean Air Optima CA-603** luchtbevochtiger. U heeft een belangrijke stap gezet in de verbetering van de luchtkwaliteit in uw huis, kantoor of welke andere binnenruimte dan ook. De tevredenheid van de klant is ons uitgangspunt. De **Clean Air Optima** luchtbevochtiger is een kwaliteitsproduct en wordt geleverd met een garantie periode van 2 jaar.

U dient altijd uiterst voorzichtig te zijn wanneer u dit of enig ander elektrisch apparaat gebruikt. Verminder de kans op elektrocutie, elektrische schokken, verwondingen of brand door navolgende aanwijzingen goed te lezen en op te volgen.

Veiligheidsinstructies

- Apparaat uitsluitend in overeenstemming met de op het typeaanduidingplaatje vermelde gegevens aansluiten en bedienen.
- Enkel gebruiken indien toevoerleiding en apparaat geen beschadigingen vertonen.
- Telkens vóór gebruik controleren!
- Plaats het apparaat zodanig dat het niet omgegooid kan worden.
- Dit apparaat mag niet gebruikt worden door kinderen en door personen met beperkte psychische capaciteiten of met gebrekkige kennis, tenzij zij onder het toezicht van een voor hun veiligheid instaaende persoon of tenzij zij instructies kregen, hoe het apparaat gebruikt dient te worden. Er dient beslist voor gezorgd te worden dat kinderen niet met het apparaat spelen.
- Plaats de luchtbevochtiger niet bij warmtebronnen zoals kachels, radiatoren en heaters.
- Niet gebruiken op plaatsen waar brandbare of explosieve materialen worden opgeslagen.
- Plaats de luchtbevochtiger niet in direct zonlicht of bij objecten met hoge temperaturen.
- Telkens na gebruik of in geval van een fout stekker uittrekken.
- Probeer nooit de stekker te veranderen op welke manier dan ook.
- Voordat u de stekker uit het stopcontact haalt dient u te controleren of de luchtbevochtiger uitgeschakeld is.
- Haal de stekker altijd uit het stopcontact wanneer het apparaat niet in gebruik is.
- Let erop dat het snoer van het apparaat nooit op een heet oppervlak ligt.
- Gebruik het apparaat niet wanneer het snoer of de stekker beschadigd is of lijkt. Draai het snoer nooit om scherpe hoeken, dit kan letsel voor de gebruiker of beschadiging van het snoer tot gevolg hebben.
- De aansluitleiding niet met natte handen vastnemen.
- Laat het apparaat tijdens de werking nooit zonder toezicht.
- Bewaar het apparaat niet in de open lucht.
- Dompel het apparaat niet in water.
- Zorg dat de luchtuitleat ten allen tijde vrij blijft. Plaats er geen voorwerpen op.
- Gebruik geen additieven (b.v. pure etherische oliën, geurstoffen, waterreinigingsmiddelen). Het materiaal is niet geschikt voor gebruik van additieven. Toestellen die door dergelijke additieven zijn beschadigd, zijn van de garantie buitengesloten.
- Schakel het apparaat steeds uit als de tank leeg is of als u het apparaat niet gebruikt.
- Indien het apparaat langere tijd niet gebruikt wordt, trekt u de netstekker uit het stopcontact en reinigt u het apparaat.
- Gebruik het apparaat nooit na een verkeerde werking, bijvoorbeeld als het op de grond gevallen is of op een andere manier beschadigd werd.
- De fabrikant kan niet verantwoordelijk gesteld worden bij een foutief gebruik, dat door veronachtzaming van de gebruiksaanwijzing tot stand komt.
- Reparaties aan het apparaat, zoals bijvoorbeeld een uitwisseling van een beschadigde toevoerleiding, mogen uitsluitend door de klantenserviceafdeling doorgevoerd worden om gevaren te vermijden.
- Het apparaat mag niet met een schakeltijd klok of met een apart afstandsbesturingssysteem bediend worden!
- Als u een abnormale geur waarneemt, schakelt u het apparaat uit en richt u zich tot de klantenserviceafdeling.
- De nevelverdeler (richtingsproeier) nooit op elektrische apparaten of stopcontacten richten.
- De hoogfrequente trillingen kunnen door mens en dier niet gehoord worden en zijn geheel ongevaarlijk.

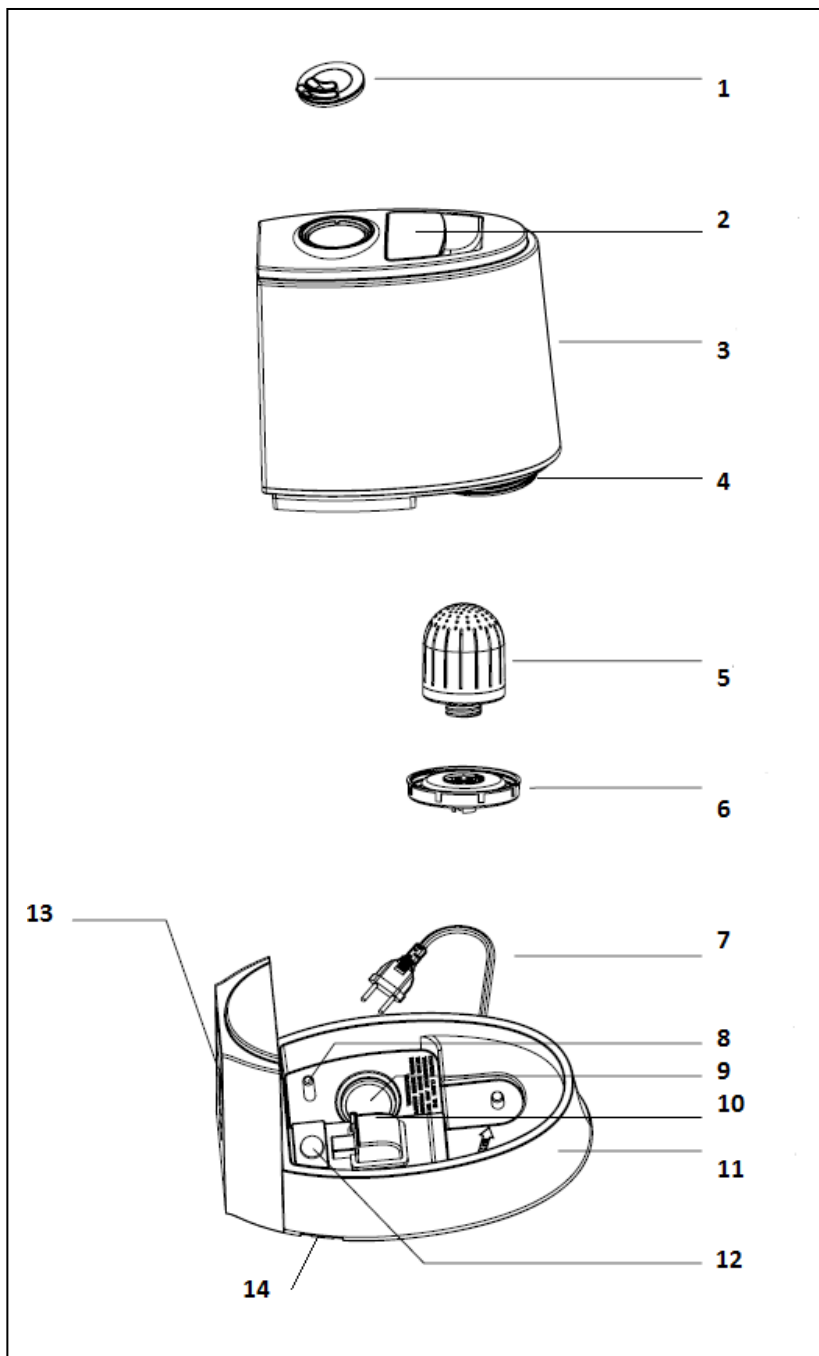


Diagram luchtbevochtiger CA-603

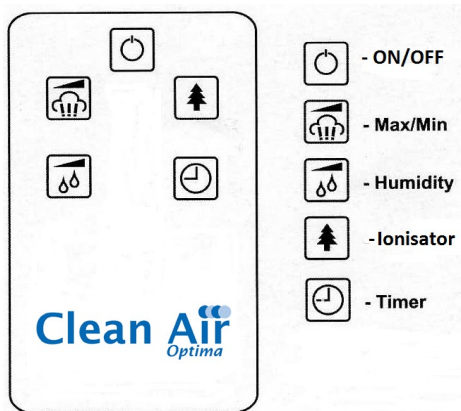
- 1. nevelverdeler (richtingssproeier)
- 2. handvat watertank
- 3. water tank
- 4. ingang / water vullen
- 5. permanent keramisch / nano-zilver filter
- 6. schroefdeksel/afdichten watertank
- 7. netsnoer
- 8. water level sensor
- 9. ultrasoon seductor
- 10. ventilator/ionisator
- 11. onderkant behuizing / waterbassin
- 12. led lampje/indicatie aan
- 13. display met tiptoetsen
- 14. Aroma box

Het apparaat kan worden bediend door vijf tiptoetsen op het voorpaneel/LCD display.



ON/OFF	-	Aan/uit
Ion	-	In/uitschakelen ionisator
Max/Min	-	Snelheidsregelaar
Humidity	-	Instellen luchtvochtigheid
Timer	-	Instellen tijd voor automatisch uitschakelen

Het apparaat kan ook worden bediend via vijf knoppen op de afstandsbediening. De functies zijn identiek aan de functietoetsen met dezelfde naam direct op het apparaat. Voor het eerste gebruik van de afstandsbediening is het nodig om de beschermende folie te verwijderen tussen de batterij.



-  - ON/OFF
-  - Max/Min
-  - Humidity
-  - Ionisator
-  - Timer

Aromatherapie

Belangrijk

Voor het bereiken van het gewenste succes en lang plezier van uw **CLEAN AIR OPTIMA** luchtbevochtiger, raden we u aan om de volgende instructies over het gebruik van etherische olie (ook wel essentiële olie genoemd) in uw luchtbevochtiger zorgvuldig te lezen.

Toepassing CLEAN AIR OPTIMA essentiële oliën in de CLEAN AIR OPTIMA CA-603

Door toepassing van onze hoogwaardige essentiële oliën in de CA-603 geniet u uw persoonlijke aromatherapie: een geurbeleving op het hoogste niveau!

Voor aromatherapie in de CA-603 ultrasoon luchtbevochtiger is uitsluitend de volgende speciaal voor ultrasoon luchtbevochtigers ontwikkelde **CLEAN AIR OPTIMA essentiële oliën** toepasbaar:



Eucalyptus	10ml
Lavendel	10ml
Mountain	10ml
Relax	10ml

Bestellen:

NL: <https://www.cleanair-online.nl>

BE: <https://www.cleanair-online.be>

De werking

Essentiële oliën of etherische oliën zijn vluchtig: ze hebben van nature de neiging om zich in de lucht te verspreiden. Door gebruik te maken van de ultrasoon techniek in de **Clean Air Optima luchtbevochtiger CA-603** wordt etherische olie sneller in de binnenlucht verspreid.

In deze ultrasoon luchtbevochtiger wordt de etherische olie door het ultrasone trillingsplaatje microfijn verneveld en d.m.v. een ventilator in de lucht verspreid, zonder dat ook maar enige warmte wordt gebruikt.

Het (na)vullen met CLEAN AIR OPTIMA etherische olie:



Schuif de aroma box aan de zijkant uit, doe 5 tot 10 druppels van uw favoriete **Clean Air Optima etherische olie** op de pad.

Attentie!

gebruik van andere, niet voor ultrasoon luchtbevochtigers ontwikkelde essentiële oliën of additieven, kunnen leiden tot beschadiging van de luchtbevochtiger! (bijv. pure etherische oliën, aroma's schoonmaakmiddelen voor het water) mogen NIET worden gebruikt! Zelfs een kleine hoeveelheid zou het kunststof kunnen beschadigen/breken. Het materiaal is niet geschikt voor het gebruik van dergelijke additieven. Één druppel is al voldoende om de watertank/waterbassin te beschadigen en het toestel onbruikbaar te maken. Toestellen die door dergelijke additieven worden beschadigd, zijn van de garantie uitgesloten.

De **Clean Air Optima CA-603** luchtbevochtiger is uitgerust met een keramisch / nano-zilver filter. Het filter bestaat uit een cilinder met een aantal kleine plastic en keramische balletjes. De plastic balletjes zijn ingebed met nano-zilver en vermindert bacterievorming in het water. Tevens is de bodem van de watertank en van het bassin met nano-zilver gemengd. De keramische balletjes zijn voor het ontkalken en het verzachten van het water en voorkomt nare watergeur. Het filter moet minimaal om de drie maanden vervangen worden of na 400 uren in gebruik van de luchtbevochtiger. Zie hoofdstuk **Vervanging** voor verdere instructies.



Ingebruikname van het apparaat

Het apparaat dient ter bevochtiging van de binnenlucht.

Laat het apparaat voor het eerste gebruik op de kamertemperatuur aan passen, ten minste voor een half uur. Het apparaat wordt aanbevolen voor gebruik bij kamer temperatuur tussen 5 – 40 °C en een relatieve luchtvochtigheid minder dan 80%.

Zet het apparaat op een vast, effen en voor water ongevoelig oppervlak neer, 60 cm vanaf de vloer en minstens 20 cm van de wand. Plaats de luchtbevochtiger niet op meubulair.

Om de watertank te vullen, verwijdert u de nevelverdeler (richtingsproeier) bovenop het apparaat en opent u het schroefdeksel aan de onderzijde van de watertank.

Giet koud water in (geen warmwater, dit kan lekken veroorzaken). Bij sterk kalkhoudend water maakt u gebruik van gedestilleerd of afgekookt water. Geen chemicaliën, oplosmiddelen of dergelijke ingieten. Schroef het deksel daarna weer goed vast. Zet de tank op het onderste gedeelte van het apparaat en breng de nevelverdeler (richtingsproeier) aan op de bovenkant van het apparaat. Let erop dat de tank juist zit, zodat het apparaat correct kan werken.

Steek de stekker in het stopcontact.

Druk de toets "**ON/OFF**" in.

Een klein hoogfrequent trilplaatje in het waterreservoir, de ultrasoon seductor, zorgt voor ultrasoon water verneveling techniek waardoor het water microfijn wordt verneveld tot koude mist en de lucht aangenaam bevochtigd. De zachte ventilator luchtstroom over het water zorgt voor optimale verdeling van de waternevel in de ruimte. Let erop dat de vrijkomende mist niet op wandcontactdozen, muren of andere voorwerpen staat gericht.

Als er geen of te weinig water in de tank is, hoort u een geluidssignaal.

Voor het overige verschijnt in het display de relatieve luchtvochtigheid (%RH), temperatuur en waterverneveling stand 2.

Met de toets "**Humidity**" ("Vochtigheid") kan men de luchtvochtigheid van 45 tot 75% relatieve luchtvochtigheid in de omgeving van het apparaat instellen.

Wanneer het apparaat de ingestelde luchtvochtigheid bereikt heeft, wordt het apparaat uitgeschakeld. Indien er onder de luchtvochtigheid gebleven wordt dan wordt het apparaat terug ingeschakeld.

Na het instellen van de relatieve vochtigheid werkt het systeem automatisch.

Met de toets "**MAX/MIN**." wijzigt u de ventilatorsnelheid en daardoor de hoeveelheid watervernevelling in de ruimte.

Met de toets "**Ion**" (Ionisatie) wordt de uitblaaslucht met negatieve ionen toegevoegd. De ingebouwde ionisator produceert negatieve zuurstofionen waardoor de binnenlucht aanvullend op de bevochtiging wordt gereinigd en verfrist.

Aantal ionen per kubieke centimeter lucht:

Op hoogteliggingen 8000 ionen / cm³

Aan zee 4000 ionen / cm³

Op het land 1200 ionen / cm³

In de stad 200 ionen / cm³

Op kantoor slechts 20 ionen / cm³

Door de toets "**Timer**" in te drukken, kan men de tijd instellen voor automatisch uitschakelen van 1 tot 12 uur. De ingevoerde tijd is op het display te zien.

Luchtvochtigheid (= "Humidity")

De procenten van waternevel in een ruimte en de luchttemperatuur vormen de relatieve luchtvochtigheid. De lucht bevat min of meer luchtvochtigheid. De verhouding van waternevel tot lucht verschilt van de verschillende temperaturen. Hoe hoger de temperatuur, hoe minder waternevel er in de lucht is.

In de winter komt de koude lucht van buiten en wordt de lucht door de kamertemperatuur warmer. De relatieve luchtvochtigheid neemt af. De luchtvochtigheid kan met de Clean Air Optima luchtbevochtiger op peil worden gebracht.

De relatieve luchtvochtigheid dient te zijn:

Slaap- en woonkamer 45-60%

Patiëntenkamer 40-50%

Bibliotheken 40-50%

Reiniging en onderhoud.

U kunt ervoor zorgen dat uw **Clean Air Optima® CA-603** luchtbevochtiger jarenlang probleemloos werkt door enkele eenvoudige onderhoudsprocedures in acht te nemen. Als uw water hard is en hoge concentraties calcium en andere mineralen bevat, zal na verloop van tijd wit stof (kalk) zich op de verschillende oppervlakken in de ruimte gaan afzetten. Ook in het **Waterbassin**, op de **Ultrasoon seductor** en op het binnenwerk van de watertank zal een witte aanslag (kalk) ontstaan. De kalk aanslag zal de goede werking van de **Ultrasoon seductor** en de efficiënte hygiënische luchtbevochtiging van het apparaat belemmeren.

Wij adviseren het volgende:

1. Reinig de **Ultrasoon Seductor** en het **Waterbassin** eenmaal per week als u het apparaat dagelijks gebruikt met **Clean Air Optima® Reiniger & Ontkalker**.
2. Giet het resterende water uit de watertank en vul deze met vers water, zodra de watertank moet worden bijgevuld.
3. Reinig het hele apparaat en houd alle onderdelen volledig droog wanneer het apparaat niet in gebruik is.



Speciaal ontwikkeld voor **Clean Air Optima®** luchtbevochtigers

- Niet agressief
- Beschermde kunststof en keramische materialen van de luchtbevochtiger
- Geurneutraal
- Reinigt & ontkalkt snel en grondig
- Biologisch afbreekbaar

U kunt de **Clean Air Optima® Reiniger & Ontkalker** in onze online winkel www.cleanairoptima.com bestellen.

Reinigen van de Transductor en Waterbassin

Schakel het apparaat uit.

Tijdens het reinigen en ontkalken, mag het apparaat niet worden gebruikt.

Spatten van de **Clean Air Optima® Reiniger & Ontkalker** op een werkoppervlak of aan de buitenkant van het apparaat, verwijderen met een zachte, vochtige doek.

1. Doseer 2 doppen **Clean Air Optima® Reiniger & Ontkalker** in het **Waterbassin** (verdeel 1 dopje op het oppervlak van de **Ultrasoon seductor** en 1 dopje in het **Waterbassin**) en laat 2 – 5 minuten inwerken.

2. Verwijder het minerale (kalk) laagje voorzichtig van het oppervlak van de **Ultrasoon seductor** met een kleine borstel, wattenstaafje of tandenborstel. Let op: gebruik nooit scherpe of harde voorwerpen om de **Ultrasoon seductor** te reinigen.
3. Voeg vervolgens water toe tot de rand van het **Waterbassin** en laat minimaal 30 minuten en maximaal 60 minuten inwerken.
4. Spoel de **Ultrasoon seductor** en het **Waterbassin** grondig af met water.
5. Indien er nog sporen van kalkaanslag zichtbaar zijn, adviseren wij reiniging en ontkalken te herhalen.
6. Reinig de binnenkant van de **Watertank** met een mild afwasmiddel, en spoel na met schoon water.

Na het reinigen en ontkalken is uw apparaat hygiënisch schoon, kalkvrij, vrij van bacteriën, vrij van virussen en meteen weer klaar voor gebruik.

Let op:

Om te reinigen en ontkalken, dient het apparaat uitgeschakeld te zijn, zodat er door de ultrasone verneveling geen zuur via aerosolen in de lucht komt.

Vervangen Clean Air Optima® waterfilter W-03

De **Clean Air Optima CA-603** is uitgerust met een bewakingsmechanisme voor de levensduur van het waterfilter, dat aangeeft dat het waterfilter na 400 werkuren moet worden vervangen. Om aan te geven dat het waterfilter **W-03** moet worden vervangen, begint het controlelampje dubbel nul



van de luchtbevochtiger te knipperen. Reset de timer voor het waterfilter door de aan-/uitknop ongeveer 3 seconden ingedrukt te houden. Als het controlelampje uitgaat, is de timer met succes gereset.

Het waterfilter **W-03** vermindert de kalkaanslag in het water en de ongewenste uitstoot van kalkdeeltjes in de ruimte. Effectief gedurende één tot drie maanden, afhankelijk van de waterhardheid. Installeer elke 2 tot 3 maanden een nieuw waterfilter **W-03**, afhankelijk van de waterhardheid.

1. Draai het waterfilter **W-03** los van de bodem van de watertank.
2. Gooi het verzadigde waterfilter **W-03** bij uw huishoudelijk afval.
3. Draait het waterfilter **W-03** vast op de bodem van de watertank.

Afstandsbediening

Met de afstandsbediening kunt u alle functies besturen. Let erop dat er zich geen hindernissen tussen het apparaat en de afstandsbediening bevinden. Dit kan tot fouten leiden.

Technische gegevens

- Ultrasoon waterverneveling voor koude mist
- min. 120 ml / h
- max.300 ml / h

Voor ruimtes tot ca. 45m² / 100m³

- Bevochtigt, reinigt en aromatiseert. Verfrist en verbetert de kwaliteit van de binnenlucht
- 3-in-1 Luchtbevochtiging, luchtreiniging en Aromatherapie!
- Permanent keramisch / nano-zilver filter: geen vervangfilters nodig!
- Veilige afgifte van koude nevel, geschikt voor baby- en kinderkamer
- Negatieve ionen: 3.000.000/cm³
- Actief zuurstof < 0,05 ppm
- Digitale hygrostaat voor meting aanwezige en regeling ingestelde luchtvochtigheid
- Afstandbediening en bediening via tiptoetsen op de display
- Met LCD bediendisplay en timerfunctie voor 1 – 12h
- Traploos regelbare snelheden
- 12 uurs timer
- Waterreservoir 5 liter
- Keramisch filter voor waterontkalking
- Nanozilver tegen bacterievorming en slechte watergeur
- Tot 50 uur continu bedrijf (of 5 nachten) zonder navulling (laagste stand)
- Automatische uitschakeling en signaal bij leeg waterreservoir
- Bijzonder geluidsarm <25dB
- Afmetingen 33,5 x 15 x 28,5 cm
- Gewicht 2,6kg (leeg)
- Kleur: Zwart
- TÜV GS en CE getest
- Energieverbruik slechts 30 watt
- Stroomaansluiting 220 – 240V, 50 / 60 Hz

Gebruik en onderhoud

Gebruik koud of gedestilleerd water.

Reinig de ultrasoon seductor, watertank en bassin elke week.

Ververs het water in de tank vaker om fris te houden.

Wanneer het apparaat niet gebruikt wordt hele apparaat reinigen en alle delen goed laten drogen.



Vraag bij uw speciaalzaak of bij uw gemeente om actuele informatie over de afgifte van de verpakking en van uw oude apparaat.

Wij bieden een **garantie van 2 jaar** na aankoopdatum.

Ons product werd volgens de modernste productiemethoden vervaardigd en aan strenge kwaliteitscontroles onderworpen. Wij garanderen de onberispelijke kwaliteit van dit product.

Mochten er tegen alle verwachtingen in gebreken optreden, dan verzoeken wij u de bijgevoegde garantiebon in te vullen en die samen met een kopie van het aankoopbewijs + een korte omschrijving van het defect naar het **Clean Air Service Center** te sturen, zie onderstaand adres:

Clean Air Service Center

T.a.v. afd. Garantie
David Ricardostraat 9-9
7559 SH Hengelo (ov)
The Netherlands
Tel: + 31 (0) 74 - 2670145
Fax: + 31 (0) 74 - 2671789
E-mail: info@cleanair-online.nl
Internet: www.cleanairoptima.nl

		Datum van aankoop	Garantieperiode
Model	CA-603		2 jaar na aankoopdatum
Klant	Naam		
	Adres		
	Telefoonnummer		
	Fout/defect		
<p>a. Al onze producten hebben strenge testen doorstaan voordat ze de fabriek mochten verlaten. Cliënten hebben binnen 2 jaar na aankoopdatum recht op gratis reparatie op vertoon van dit garantiebewijs indien het apparaat niet of slecht functioneert bij normaal gebruik.</p> <p>b. Niet onder de garantie valt schade die is ontstaan als gevolg van het zelf ontmantelen en weer in elkaar zetten van het apparaat, gebruik van het apparaat anders dan in de handleiding staat omschreven, verandering van voeding en/of voltage, natuurgeweld en andere invloeden van buitenaf.</p> <p>c. Niet onder de garantie valt schade aan de buitenkant, accessoires en externe onderdelen.</p> <p>d. De garantieperiode van 2 jaar gaat in op de datum die is vermeld op het garantie- en aankoopbewijs.</p>			

Humidificateur d'air à ultrasons
avec ioniseur et aromathérapie
CA-603



Mode d'emploi



IMPORTANT: Afin de réduire le risque d'incendie, de choc électrique ou de blessures lors de l'utilisation d'appareils électriques, veuillez respecter les conseils de sécurité ci-dessous:

Gardez soigneusement ce mode d'emploi!

Conseils de sécurité

- Branchez et utilisez l'appareil uniquement selon les consignes dans ce mode d'emploi et sur la plaque signalétique.
- Utilisez uniquement l'humidificateur si le câble et l'appareil ne présentent pas de dégâts! Vérifier avant chaque utilisation.
- Placez le câble de manière à ce que l'appareil ne puisse pas être renversé.
- Cet appareil ne doit pas être manipulé par des enfants ou des personnes à capacité mentale limitée ou manquant de connaissance, à part s'ils sont surveillés par des personnes responsable pour leur sécurité ou s'ils ont reçu des consignes à propos de la manipulation de l'appareil. Assurez-vous que les enfants ne jouent pas avec l'appareil.
- Ne pas placer l'appareil en plein soleil ou dans des endroits avec de hautes températures.
- Ne pas placer l'appareil près de sources de chaleur comme les fourneaux ou les radiateurs.
- Débranchez l'appareil après chaque utilisation ou en cas de problèmes.
- Ne pas arracher le câble de raccordement. Ne pas le frotter sur des rebords et ne pas le coincer.
- Eteignez tous les réglages avant de débrancher l'humidificateur.
- Assurez-vous que l'appareil est raccordé correctement à une prise mise à la terre.
- Eteignez l'appareil quand vous ne l'utilisez pas.
- Les réparations doivent être effectuées par un spécialiste. En cas de dégâts causés par une réparation incorrecte, la garantie prend fin.
- Evitez d'approcher le câble de surfaces chaudes.
- Ne jamais utiliser l'appareil lorsque le câble ou la prise de raccordement sont endommagés. Les pièces endommagées doivent être réparées par un spécialiste.
- Lorsque vous tirez la prise, tirez bien sur le connecteur et pas sur le câble.
- Ne pas toucher le fil de connexion avec les mains humides.
- Ne pas laisser l'appareil sans surveillance lorsqu'il est enclenché.
- Ne pas garder l'appareil à l'extérieur ou dans un endroit humide.
- Ne pas mettre l'appareil sous l'eau.
- Ne pas bloquer la sortie d'air. Ne pas placer d'objets sur l'appareil.
- Ne pas utiliser d'additifs d'eau (huiles essentielles, parfum, produits détergents). Le matériel supporte mal les additifs. La garantie ne couvre pas les appareils ayant été utilisés avec des produits additifs.
- Eteignez toujours l'appareil lorsque le réservoir est vide ou lorsque vous n'utilisez pas l'appareil. Si vous n'utilisez pas l'humidificateur durant une longue période, tirez la prise et nettoyez l'appareil.
- N'utilisez jamais l'appareil après un dysfonctionnement, par exemple s'il est tombé ou a été endommagé d'une autre manière. Le fabricant n'assume aucune responsabilité en cas de mauvaise utilisation causée par non prise en compte de ce mode d'emploi. Afin d'éviter toute mise en danger, seul le service client doit effectuer les réparations nécessaires.
- L'appareil ne doit pas être utilisé avec une minuterie ou un système de téléconduite séparé!
- Si vous constatez des odeurs anormales, éteignez l'appareil et contactez le service client.
- L'ouverture de la ventilation ne doit jamais être dirigée vers des appareils électriques ou des prises.
- Les vibrations de l'ultrason ne sont pas audibles et ne présentent aucun danger pour les humains ou les animaux.

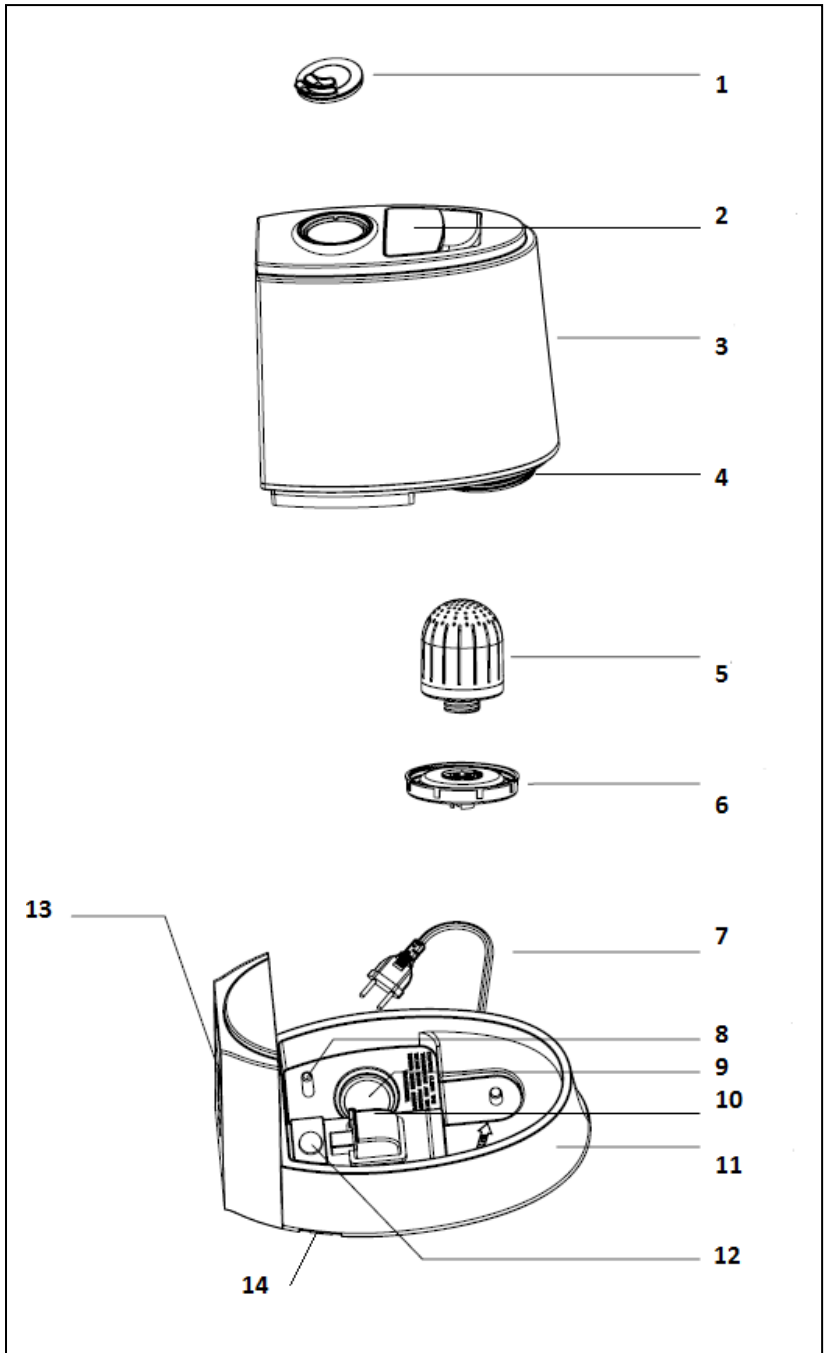


Diagramme humidificateur CA-603

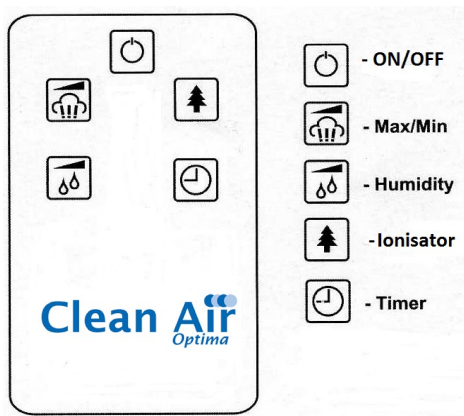
- 1. Pulvérisateur
- 2. Manche réservoir
- 3. Réservoir
- 4. Ouverture pour remplir le réservoir
- 5. Filtre en céramique / nanosilver (durée de vie permanente)
- 6. Bouchon à vis réservoir
- 7. Câble de raccordement
- 8. Senseur d'eau
- 9. Transducteur
- 10. Ventilateur avec ioniseur
- 11. Fond boîtier/ bassin d'eau
- 12. Touches
- 13. Ecran LCD
- 14. Aroma box

L'appareil peut être commandé avec cinq touches tactiles sur le devant de l'écran.



ON/OFF	-	Marche / Arrêt
Ion	-	Marche / Arrêt-Ioniseur
Max/Min	-	Changer la vitesse du ventilateur
Humidity	-	Régler l'humidité de l'air désirée
Timer	-	Régler l'arrêt automatique

L'appareil peut aussi être commandé avec les cinq touches de la télécommande. Les fonctions sont identiques aux touches de fonction du même nom sur l'humidificateur. N'oubliez pas de retirer le film de protection de la pile lors de la première utilisation de la télécommande.



Aromathérapie

Important

Afin d'obtenir un résultat optimal et entière satisfaction de votre humidificateur d'air **CLEAN AIR OPTIMA**, nous vous recommandons de suivre avec attention les instructions ci-dessous relatives à l'utilisation des huiles essentielles.

Comment utiliser les huiles essentielles de CLEAN AIR OPTIMA dans votre humidificateur CA-603?

L'utilisation des huiles essentielles dans votre CA-603 garantit une aromathérapie personnalisée et un moment de détente aux parfums intenses.

Seules les huiles essentielles de **CLEAN AIR OPTIMA** peuvent être utilisées dans votre humidificateur à ultrasons CA-603:



Eucalyptus	10ml
Lavendel	10ml
Mountain	10ml
Relax	10ml

Commander :
<https://www.cleanairoptima.fr>
<https://www.cleanairoptima.com>

Les effets des huiles essentielles

Les huiles essentielles (aussi connues sous le nom d'huiles éthériques) sont volatiles et se répartissent facilement dans l'air. L'utilisation de la technique à ultrasons de l'humidificateur **Clean Air Optima CA-603** permet une répartition plus rapide des huiles essentielles dans l'air ambiant.

Les huiles éthériques sont vaporisées dans l'air grâce à une membrane à ultrasons et un ventilateur qui les diffuse dans l'air sans avoir à recourir à une source de chaleur.

Comment remplir votre appareil CLEAN AIR OPTIMA d'huiles essentielles?

Eteignez l'appareil et débranchez-le.
Retirez le couvercle situé au-dessus de l'appareil.
Faites couler 5 à 10 gouttes de votre huile essentielle favorite **Clean Air Optima** dans l'ouverture de l'appareil.
Lorsque l'appareil est vide vous n'avez qu'à faire couler quelques gouttes d'huiles essentielles dans l'ouverture de l'appareil



Ouvrez la boîte pour les arômes sur le côté, ajoutez environ 5 à 10 gouttes de votre huile essentielle préférée sur la dosette et fermez la boîte. Afin d'obtenir le meilleur résultat, **veuillez utiliser UNIQUEMENT les huiles essentielles et les compositions de haute qualité de Clean Air Optima.**

Attention!

L'utilisation d'autres huiles que celles prévues pour un humidificateur à ultrasons peut provoquer des dommages importants (par exemple les huiles éthériques pures, aromes produits de nettoyage...etc.)! Même en petite quantité ces produits peuvent endommager les matériaux. Une goutte de ces produits est suffisante pour endommager le réservoir d'eau et le bassin, rendant l'appareil inutilisable. La garantie n'est pas applicable dans le cas où un de ces produits ait été utilisé.

L'humidificateur d'air de **Clean Air Optima CA-603** est pourvu d'un filtre en céramique / nanosilver. Le filtre est composé d'un cylindre avec des petites boules en plastique et en céramique. Les boules en plastique contiennent du nanosilver et réduisent la croissance bactérienne dans l'eau.

Le fond du réservoir et du bassin contient également du nanosilver, ce qui réduit la formation de bactéries. Les boules en céramique fournissent de la vapeur d'eau hygiénique et pure, détartrent et éliminent les odeurs. Le filtre doit être remplacé au moins tous les trois mois ou après 400 heures de fonctionnement de l'humidificateur. Voir passage **Nettoyage** pour plus de consignes.



Mise en service de l'appareil

L'appareil sert uniquement à l'humidification de l'air à intérieur.

Placez l'appareil sur une surface ferme, plane et étanche, à 60 cm du sol et à 20 cm du mur. Ne pas placer l'appareil sur vos meubles. Pour remplir le réservoir, enlevez le pulvérisateur et ouvrez le couvercle à vis sur le dessous du réservoir.

Remplissez d'eau froide (pas d'eau chaude car cela peut conduire à des fuites). Si l'eau contient beaucoup de calcaire, utilisez de l'eau distillée ou de l'eau bouillie. Ne pas verser de substances chimiques, des dissolvants ou autres. Bien revisser le couvercle. Replacez le réservoir sur la partie inférieure et remettez aussi en place le pulvérisateur. Veillez à ce que le réservoir soit bien installé pour que l'appareil puisse fonctionner de manière adéquate.

Branchez la prise.

Appuyer sur le bouton "**ON/OFF**" sur l'arrière de l'appareil. Grâce à des vibrations de haute fréquence, l'eau est transformée en vapeur microfine qui est ensuite diffusée dans l'air par un ventilateur silencieux et s'évapore directement. Veillez à ce que la vapeur qui s'échappe ne soit pas orientée vers des prises, murs ou autres objets.

Quand il n'y a pas ou pas assez d'eau dans le réservoir, vous entendez un signal. De plus, l'écran affiche l'humidité de l'air relative (%HR), la température et la vapeur d'eau niveau 1, 2 ou 3.

La touche "**Humidity**" permet de régler l'humidité de l'air à 45-75% d'humidité relative autour de l'appareil. Lorsque l'humidificateur a atteint l'humidité de l'air désirée, l'appareil s'éteint. Lorsque l'humidité de l'air tombe en dessous d'environ 10%, l'appareil s'allume à nouveau.

Lorsque l'humidité de l'air est réglée, le système travaille automatiquement, la vitesse du ventilateur est aussi automatique.

Avec le bouton "**MIN/MAX**" vous pouvez changer la vitesse du ventilateur et donc la quantité d'eau vaporisée.

La touche "**Ion**" (Ionisation) permet d'enrichir l'air expulsé en ions négatifs. L'ioniseur intégré purifie et rafraîchit l'air avec des ions négatifs d'oxygène. C'est un effet pur comme dans la nature: après un orage d'été l'air est particulièrement riche en ions négatifs et donc particulièrement frais.

Nombre d'ions par centimètre cube d'air:

En altitude 8000 ions / cm³
A la mer 4000 ions / cm³
Dans le pays 1200 ions / cm³
En ville 200 ions / cm³
Seulement 20 ions / cm³ au bureau

La touche "**Timer**" permet de régler le temps pour l'arrêt automatique. Appuyer une fois: le temps est réglé pour 1 heures, à chaque fois que l'on appuie le temps se modifie de 1 heures jusqu'à 12 heures. Le temps réglé s'affiche sur l'écran.

Humidité de l'air

Le pourcentage de vapeur d'eau dans la pièce d'habitation et la température de l'air font l'humidité relative de l'air. L'air contient plus ou moins d'humidité. Le rapport entre la vapeur d'eau et l'air varie selon la température. Plus la température est élevée, moins il y a de vapeur d'eau dans l'air. En hiver l'air froid vient de l'extérieur et devient plus chaud grâce à la température ambiante. L'humidité relative de l'air diminue. L'humidité de l'air peut être augmentée avec un humidificateur de Clean Air Optima.

L'humidité relative de l'air devrait être:

Salon et chambre à coucher 45-60%
Chambre de malade 40-50%
Bibliothèques 40-50%

Nettoyage et entretien.

Vous pouvez veiller à ce que votre humidificateur **Clean Air Optima® CA-603** fonctionne sans problème pendant des années en suivant quelques procédures d'entretien simples. Si votre eau est dure et contient de fortes concentrations de calcium et d'autres minéraux, avec le temps, de la poussière blanche (calcaire) commencera à se déposer sur les différentes surfaces de la pièce. Un dépôt blanc (calcaire) se formera également dans le **bac d'eau**, sur le **transducteur** et à l'intérieur du réservoir d'eau. Les dépôts calcaires nuisent au bon fonctionnement du **transducteur** et à l'humidification hygiénique efficace de l'appareil.

Nous recommandons ce qui suit:

1. Nettoyez le **transducteur** et le **bac d'eau** une fois par semaine si vous utilisez l'appareil quotidiennement avec **Clean Air Optima® Nettoyant & Anticalcaire**.
2. Videz l'eau restante du réservoir d'eau et remplissez-le d'eau fraîche dès qu'il doit être rempli.
3. Nettoyez l'appareil dans son intégralité et gardez toutes les pièces complètement sèches s'il n'est pas utilisé.



Spécialement conçu pour les humidificateurs d'air **Clean Air Optima®** :

- Non agressif
- Protège les éléments en plastique et en céramique de l'humidificateur
- Odeur neutre
- Nettoie et détartré rapidement et en profondeur
- Biodégradable

Vous pouvez commander le **Clean Air Optima® Nettoyant & Anticalcaire** dans notre boutique en ligne www.cleanairoptima.com.

Nettoyage du transducteur et du bac d'eau

Éteignez l'appareil.

Pendant le nettoyage et le détartrage, l'appareil ne peut être utilisé.

Des éclaboussures de **Clean Air Optima® Nettoyant & Anticalcaire** sur une surface de travail ou sur l'appareil s'essuient à l'aide d'un chiffon doux et humide.

Pour two capfuls of **Clean Air Optima® Cleaner & Descaler** into the **water basin** (one onto the surface of the **transducer** and one in the **water basin**) and leave for between two and five minutes.

1. Versez deux bouchons de liquide nettoyant et détartrant **Clean Air Optima® Nettoyant & Anticalcaire** dans le bassin d'eau (un sur la surface du transducteur et un dans le **bassin d'eau**) et laissez agir entre 2 à 5 minutes.

2. Retirez soigneusement la couche minérale (de calcaire) de la surface du **transducteur** à l'aide d'une petite brosse, d'un coton-tige ou d'une brosse à dents. Attention: n'utilisez jamais d'objets pointus ou durs pour nettoyer le **transducteur**.
3. Ajoutez ensuite de l'eau jusqu'au bord du **bac d'eau** et laissez reposer pendant 30 minutes au moins et 60 minutes tout au plus.
4. Rincez abondamment à l'eau le **transducteur** et le **bac d'eau**.
5. Si des traces de calcaire sont encore visibles, nous vous recommandons de répéter les opérations de nettoyage et de détartrage.
6. Nettoyez l'intérieur du **bac d'eau** à l'aide d'un détergent doux et rincez à l'eau claire.


Après le nettoyage et le détartrage, votre appareil est hygiéniquement propre, sans calcaire, sans bactéries, sans virus et immédiatement prêt à être réutilisé.

Attention:

Pour le nettoyage et le détartrage, l'appareil doit être éteint afin qu'aucun acide ne soit libéré dans l'air par le biais d'aérosols formés par brumisation ultrasonique.

Remplacement du filtre à eau W-03 du Clean Air Optima®

Le **Clean Air Optima CA-603** est équipé d'un mécanisme de surveillance de la durée de vie du filtre qui indique que le filtre à eau doit être remplacé au bout de 400 heures de fonctionnement. Pour signaler que le filtre à eau **W-03** doit être remplacé, l'humidificateur

émet un témoin lumineux représentant un double zéro . Réinitialisez la minuterie du filtre à eau en appuyant sur le bouton d'alimentation pendant environ 3 secondes. Si le voyant s'éteint, cela signifie que la minuterie a été réinitialisée avec succès.

Le filtre à eau **W-03** diminue la quantité de tartre présente dans l'eau et réduit l'émission indésirable de particules de tartre dans l'environnement ambiant. Ce filtre est efficace pendant une période allant de un à trois mois, en fonction de la dureté de l'eau. Remplacez le filtre à eau W-03 tous les 2 à 3 mois, en fonction de la dureté de l'eau.

1. Dévissez le filtre à eau **W-03** du fond du réservoir d'eau.
2. Éliminez le filtre à eau **W-03** saturé avec vos ordures ménagères classiques.
3. Vissez le filtre à eau **W-03** au fond du réservoir d'eau.

Télécommande

La télécommande permet de contrôler toutes les fonctions. Veillez à ce qu'il n'y ait pas d'obstacles entre l'appareil et la télécommande. Ceci pourrait causer des dysfonctionnements.

Données techniques:

- Clean Air Optima CA-603: Humidificateur d'air pour pièces d'habitation et de travail moyennes

- Humidifie, purifie et aromatise. Rafraichit et améliore la qualité de l'air dans les pièces intérieures
- 3-en-1: Humidification, purification de l'air et aromathérapie
- Filtre en céramique et nanosilver avec durée de vie permanente. Pas besoin d'échanger les filtres!
- Technologie: Ultrason avec vaporisation froide
 - Ioniseur intégré pour la purification de l'air
 - Hygrostate mécanique pour régler l'humidité de l'air à 45-75%
 - Télécommande
 - Ecran LCD de commande
 - Réglable par les touches tactiles sur le panneau de commande
 - Fonction réglage du temps - 12 heures
- Performance d'humidification: environ 120 ml/h jusqu'à 300 ml/h
- Temps de fonctionnement: 50 heures / 5 nuits par remplissage (réglage performance minimale)
- Ions négatifs: 3.000.000/cm³
- Oxygène actif: < 0,05 ppm
- Taille des chambres: idéal pour les pièces jusqu'à 45m² / 100m³
- Charge de connexion: max. 30 Watt
- Tension électrique: 220 – 240V, 50 / 60 Hz
- Filtre en céramique / nanosilver produit de la vapeur d'eau pure et hygiénique
- Pas besoin de racheter de filtre
- Très silencieux <25dB
- Réservoir d'eau amovible: oui
- Contenu récipient d'eau: 5 litres
- Couleur: noir
- Dimensions: 33,5 x 15 x 28,5 cm
- Poids: 2,6kg sec
- Longueur du câble: 145 cm

Usage & Entretien

Utilisez de l'eau froide ou distillée.

Nettoyez l'élément vibrant, le réservoir d'eau et le récipient une fois par semaine.

Ajoutez régulièrement de l'eau fraîche.

Si vous n'utilisez pas l'appareil pour quelque temps nettoyez le minutieusement et laissez bien sécher toutes les pièces.

Indications pour la protection de l'environnement



A la fin de sa durée de service, ce produit ne doit pas être jeté dans les déchets ménagers, mais doit être apporté à un point de rassemblement pour le recyclage d'appareils électriques et électroniques. Le symbole sur le produit, le mode d'emploi et l'emballage vous l'indiquent.

Les matériaux sont réutilisables selon les indications. Par la réutilisation, le recyclage des matériaux et les autres formes de réutilisation d'anciens appareils vous contribuez à la protection de l'environnement. Demandez auprès de votre administration communale où se trouve le site d'élimination et qui est responsable.

Bon de garantie

Article:

Client:

Lieu:

Code postal:

Numéro de commande:

Magasin:

Date d'achat:

Durée de garantie:

Selon la législation européenne de garantie modifiée le 01 janvier 2002, vous avez droit à une période de garantie de 2 ans.

2 ans de garantie:

1. Tous les composants des purificateurs d'air de Clean Air Optima sous soumis à et passent par un contrôle de qualité sévère avant qu'ils quittent la fabrique. En tant que client vous pouvez recourir à une réparation gratuite ou un substitut pour des pièces défectueuses durant deux ans à partir de la date d'achat, pour autant que notre entreprise est sûre que le dysfonctionnement ou la panne sont apparus lors d'utilisation normale et n'ont pas été causés par une intervention extérieure.
2. L'on ne peut pas recourir à cette garantie lorsque les dommages ont été causés par une manipulation inappropriée, par l'ouverture inadéquate du boîtier ou manipulation irrespectueuse du mode d'emploi, par un apport d'énergie incorrect, par des dégâts des eaux ou d'autres facteurs extérieurs.
3. Gardez le bon de garantie et la facture pour pouvoir faire recours à la garantie.

La réclamation de garantie doit être adressée à :

E-Mail: info@cleanairoptima.fr

Fax: 03 89 60 89 01

Envoyez la marchandise suffisamment affranchie avec le bon de garantie rempli, une copie de la facture et une brève description de la défectuosité à l'adresse suivante :

Clean Air Service Center / ALTES

4 rue des Bonnes Gens

68100 Mulhouse

France

Nous acceptons uniquement des livraisons suffisamment affranchies. Pour le renvoi de produits, veuillez utiliser l'emballage original ou alors un emballage solide de taille semblable.